



FTSYSTEM

INSPECTION FOR QUALITY

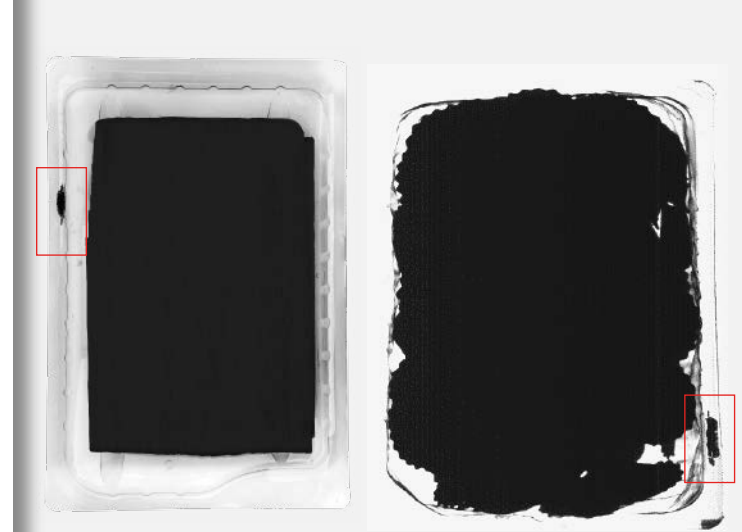
SEAL INSPECTION OF FOOD TRAYS

SIS700-IoT | WHAT IS IT?

SIS700-IoT is an **innovative in-line inspection system** that protects the **proper sealing of trays**. It **identifies seal line discontinuity**, locating organic residues in the already closed trays' sealing area and **rejecting the non properly sealed products**.

SIS700-IoT sees where the traditional vision systems are NOT able to look!

Based on "hyperspectral" technology, the innovative vision system **works with NON VISIBLE LIGHT** to "see" only a specific light frequency, finding the organic elements only [as food drops], eliminating the plastic parts from the acquired images! In this way, the system is **not affected by the color or transparency of the tray**. It's also able to **work looking UNDER** already applied film or **UNDER a plastic cover** applied on the trays.



WHY SEAL INSPECTION ON FOOD TRAYS

INNOVATIVE TECHNOLOGY [ORGANIC RESIDUE DETECTION]

DESIGNED TO SEE ONLY THE ORGANIC MATERIAL

THE SPECIFIC LIGHT SYSTEM AND THE SPECIAL CAMERA **ELIMINATE NON-ORGANIC ELEMENTS FROM THE IMAGE**

NOT AFFECTED BY CONTAINER AND CLOSURE TRANSPARENCY AND COLOR

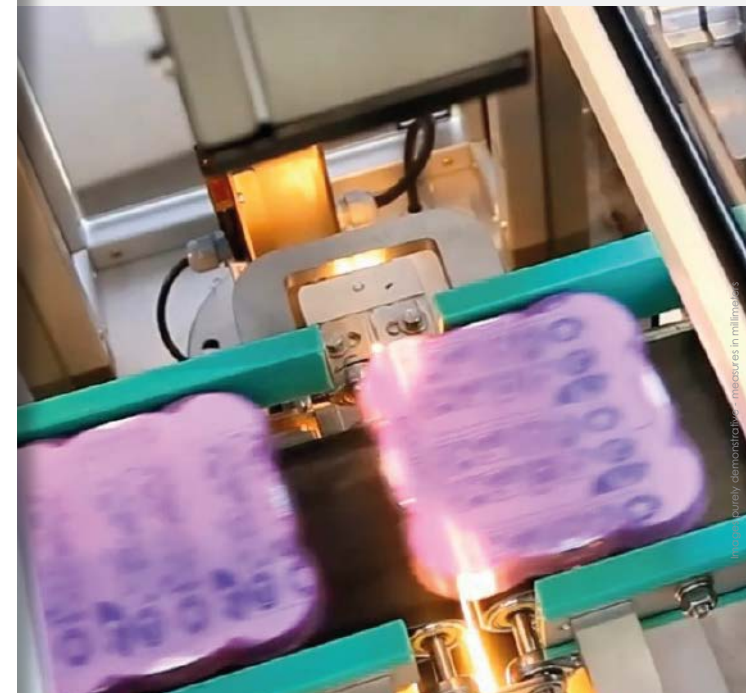
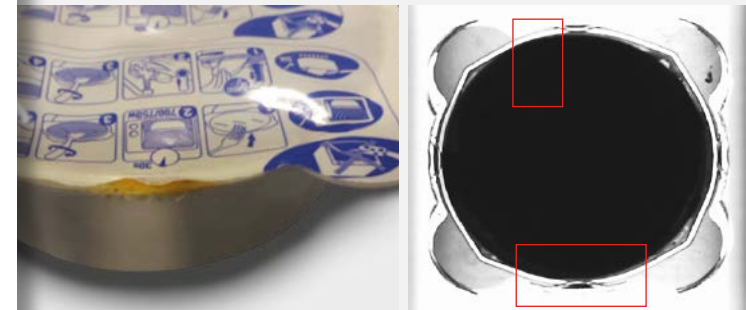
- OPAQUE, SEMI-TRANSPARENT AND TRANSPARENT **FILM**
- OPAQUE, SEMI-TRANSPARENT AND TRANSPARENT **CONTAINERS**
- INSPECT TRAYS WITH **PLASTIC COVER** ALREADY APPLIED

SAFETY AND QUALITY PROTECTION [PERCEIVED QUALITY IMPROVEMENT]

- **PROTECTS** THE EXPECTED **SHELF LIFE**
- ASSURES **HYGIENE AND CLEANING**
- **PREVENTS MARKET CLAIMS** DUE TO PRODUCTS NOT SEALED

POWERFUL AND RELIABLE

- **INSPECTS AREAS WHERE THE TRADITIONAL VISION SYSTEM ARE NOT ABLE TO INSPECT**
 - UNDER OPAQUE FILM
 - UNDER OPAQUE COVER
- **IN LINE, NON DESTRUCTIVE INSPECTION TO PROTECT 100% OF YOUR PRODUCTION**



SIS700-IoT
Series

SEAL INSPECTION ON FOOD TRAYS



FLEXIBLE AND RELIABLE

- Wide range of inspectable packaging types
- Modular and adaptable detection device
- Easily fitting into existing production lines

CONFIGURABLE ON YOUR PRODUCTS

- Conveyor belt provided in accordance with your trays characteristics
 - Conveyor belt dimension
 - Compatible product guide system
- Rejection system provided in accordance with your trays characteristics and needs

DESIGNED TO EVOLVE

- Easy integration of additional inspection modules
 - Label Inspection
 - Code reading
- Management of remoted inspection system from a single HMI

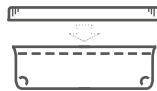
INSPECTIONS

- Organic Residues Detection

MARKET



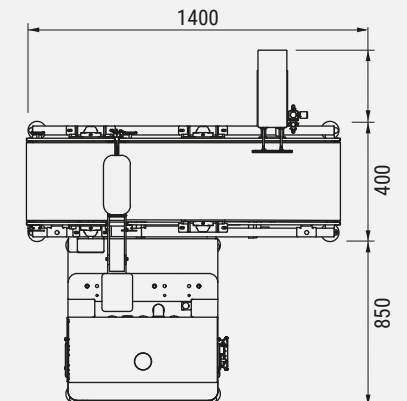
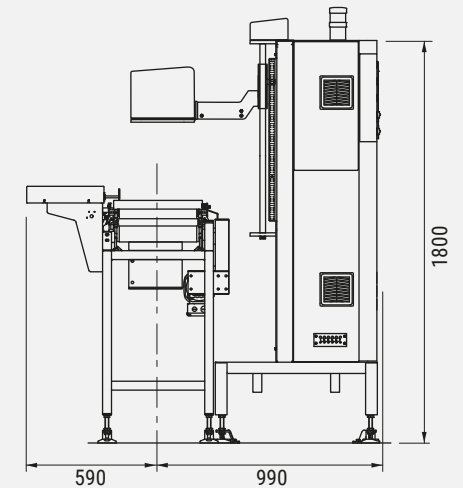
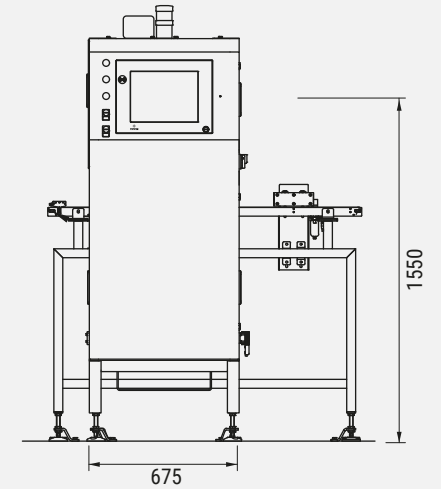
TRAYS



TRAYS
with cover

FEATURES

- Configurable architecture
- Hygienic design oriented
- Expandable and upgradeable
- Rejection system management
- Industry 4.0 compliant
- 15" Color touch screen
- Real time monitoring of: production trend, results, detected values
- Operation log database
- Exportable results
- Historical results database





FTSYSTEM

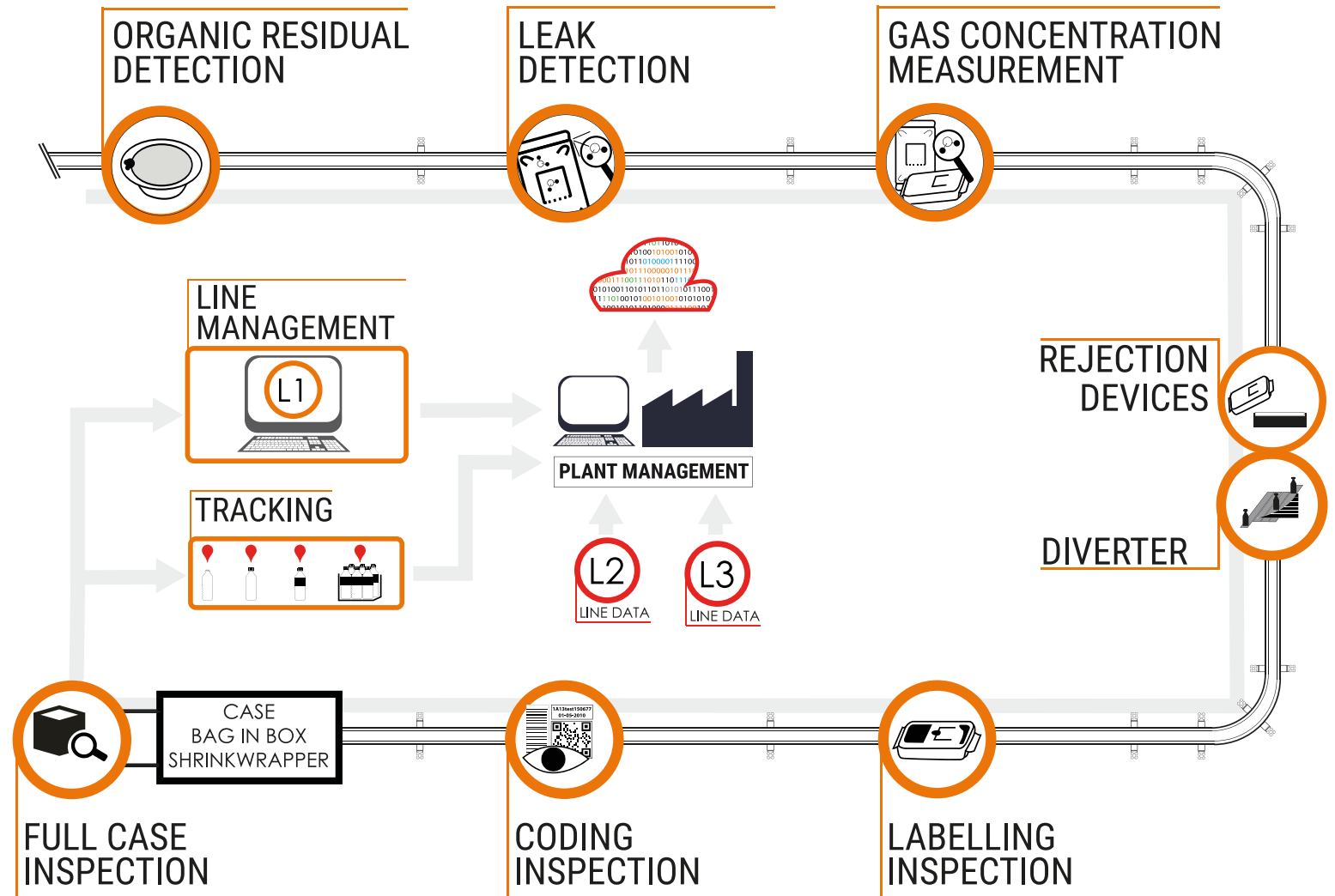
INSPECTION FOR QUALITY

CHOOSE YOUR SOLUTION

FT SYSTEM HAS A COMPLETE RANGE OF INSPECTION AND TRACKING SYSTEMS

in order to ensure the high quality of your product allowing the optimization of your production reducing costs

IN LINE SOLUTIONS



THE MOST COMPREHENSIVE **TRACK AND TRACE SOLUTIONS**

Our innovative **Track & Trace** solutions use advanced technologies to guarantee the whereabouts of each product entering the supply chain.

By issuing **serialization** identifiers on to each saleable item, you are safeguarding the **valuable integrity** of your products.

This **digital passport** will not only enhance the protection of your brand, but you will optimize production line efficiency and **minimize recalled product**.



FROM BIG DATA TO SMART DATA

AVionics is the comprehensive software tool designed to monitor the production, efficiency, and performance of your line in real-time.

AVionics collects and monitors information coming from all lines: current status of production, instant and cumulated speed, overall equipment efficiency, camera performances, percentage of batch progression to complete the order. Monitoring performance data from each line gives plant managers the complete picture of the entire situation, enabling appropriate and timely actions. Pilot your lines and your equipment for maximum performance with **AVionics**.

Real-time monitoring:

Dashboard to live-monitor production performance of lines, plants, up to corporate level.

Effective:

Aggregation of performance data from each line gives plant managers the complete picture, enabling appropriate data-driven actions.

Efficient:

Batch completion time is always under control thanks to sophisticated projections and indicators.

Zero impact:

AVionics easily installs as an add-on module to the lines without impacting the validation procedures and the performance of the existing systems.



THE MORE WE KNOW, THE SAFER WE FEEL.

Transparent operations lead to **trustworthy relationships**.

Know what's happening and when, anytime and anywhere, to bring all actors closer together.



Track My Way is a portal for **real-time product interaction** across the supply chain with the use of a digital identity.

Secure, simple and effective communication allows enabled applications for smart and timely decision making.

The result?

- Authenticated products
- Grey market detection
- Responsive stock management
- Quality control with efficient recall management
- Augmented product information
- Open dialogue with end user



FT SYSTEM
HEADQUARTER
 Via L. Da Vinci, 117
 29010 Alseno (PC) - ITALY

LPRO
Laser Spectroscopy division
 Via Torino 1/L
 35035 - MESTRINO (PD) - ITALY

ANTARES VISION
HEADQUARTER
 Via del Ferro, 16
 25039 Travagliato (BS) - ITALY

19 COMPANY SITES

- ♦ ITALY
- ♦ FRANCE
- ♦ SPAIN
- ♦ UK
- ♦ IRELAND
- ♦ GERMANY
- ♦ RUSSIA
- ♦ USA, CANADA
- ♦ MEXICO, LATAM
- ♦ BRAZIL, LATAM
- ♦ INDIA
- ♦ CHINA
- ♦ SOUTH KOREA
- ♦ ASIA PACIFIC

ANTARES VISION WORLDWIDE

30+ LOCAL PARTNERS
 60+ COUNTRIES SERVED
 + R&D SITES

Stay updated
 Follow us on our social media
 to discover all the solutions for
 your quality control and
 line efficiency needs.

