

# PGL



01

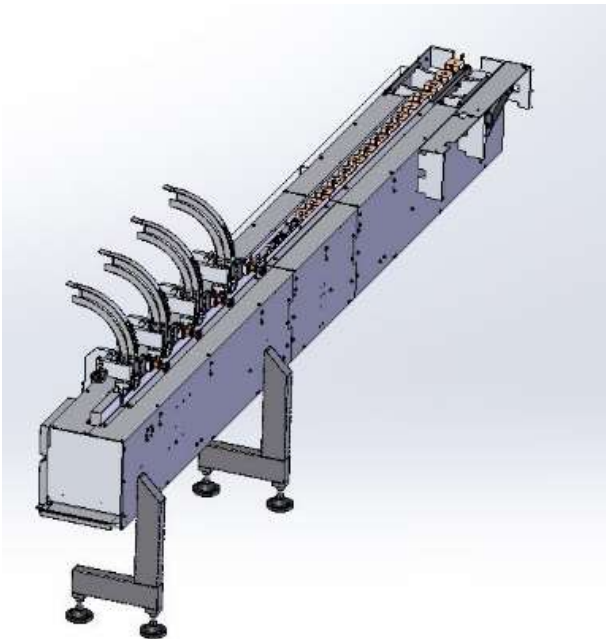
## GRAVITY LOADER

The **PGL** gravity loader is equipped with adjustable infeed chutes feeding the products directly over the pushers.

# PGL

## GRAVITY LOADER

Guides are adjustable to suit the shape of each product with precise adjustment device to manage different product thickness.



The vertical magazines are made of stainless steel FDA approved material (AISI 304). Vertical magazines into the infeed conveyor of the wrapping machine feed the products. The final configuration of the stack is obtained with the pusher on the infeed conveyor of the wrapping machine that will take one product at the time in front of each magazine and the specific number of magazines depends on the requested portion.

